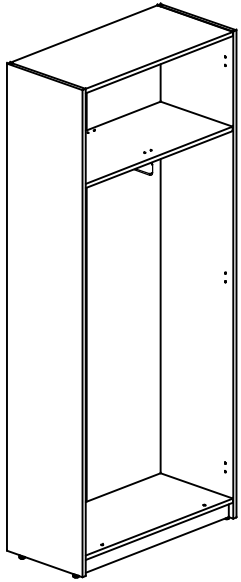
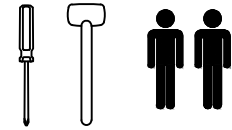
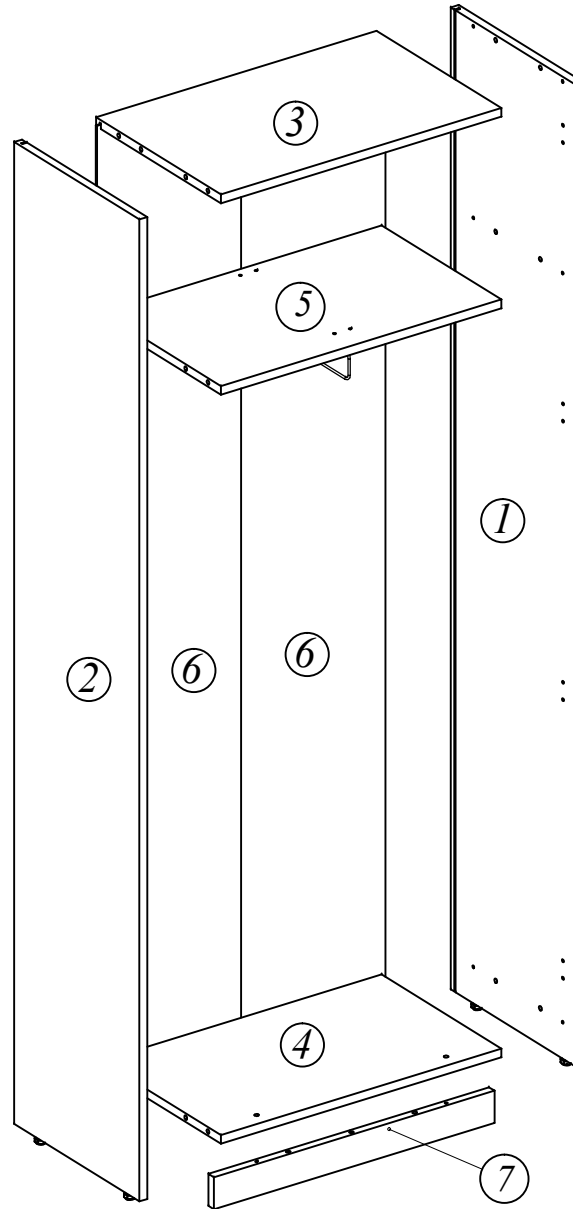
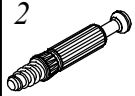




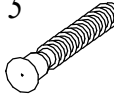
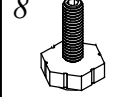
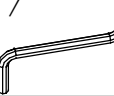
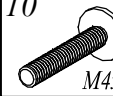
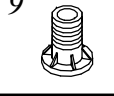
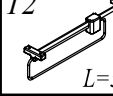
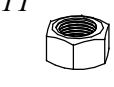
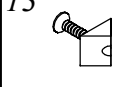


SR - G



SR - G

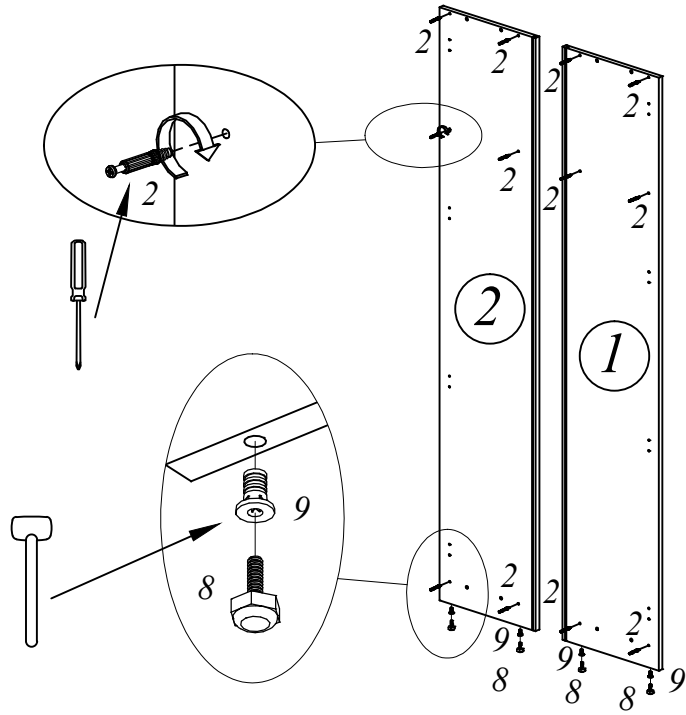


			x12
	x11		x12
	x12		x2
	x2		x4
	x1		x4
	x4		x1
	x4		x10

770x375x1805

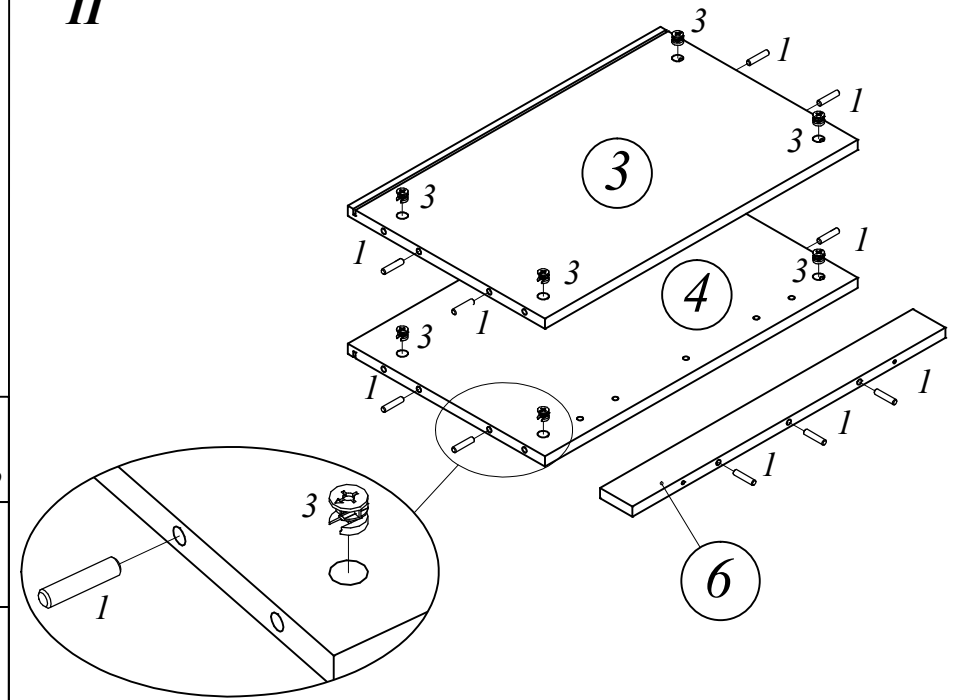
EAC

I



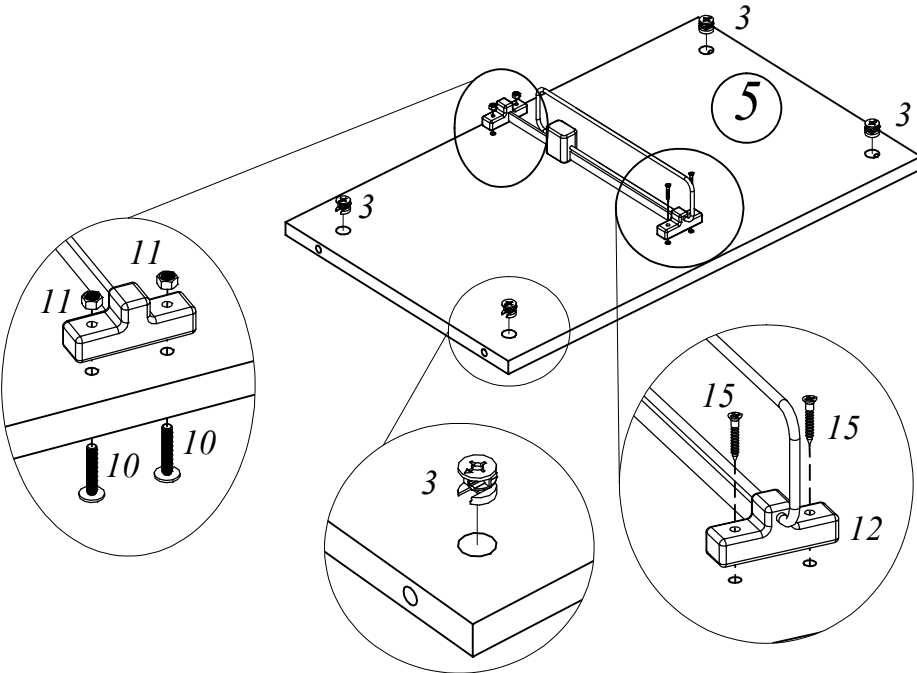
- 2 x12
- 8 x4
- 9 x4

II



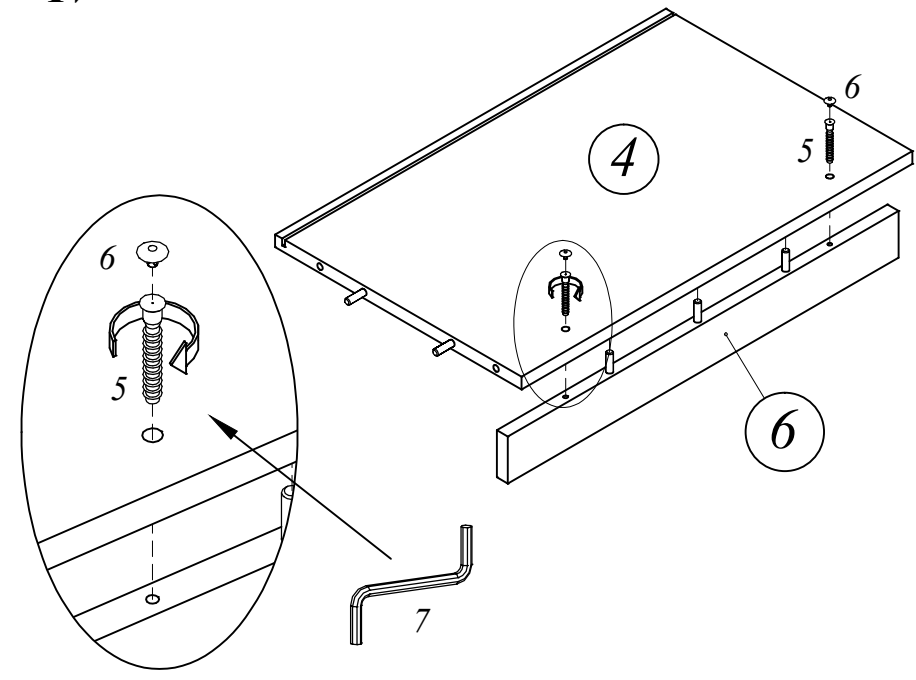
- 1 x11
- 3 x8

III



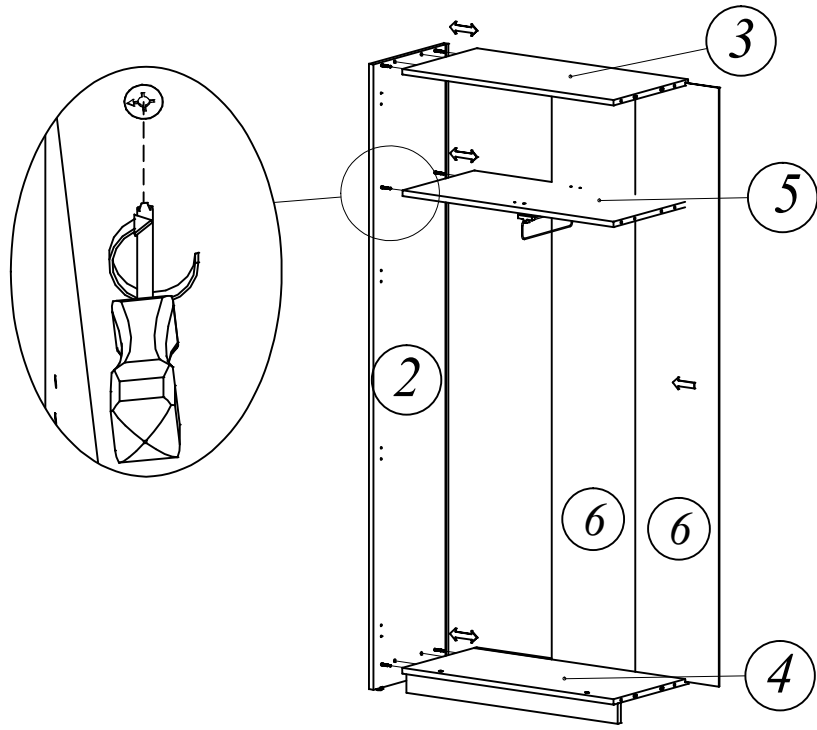
- 3 x4
- 10 x2
- 11 x2
- 12 x1
- 15 x2

IV

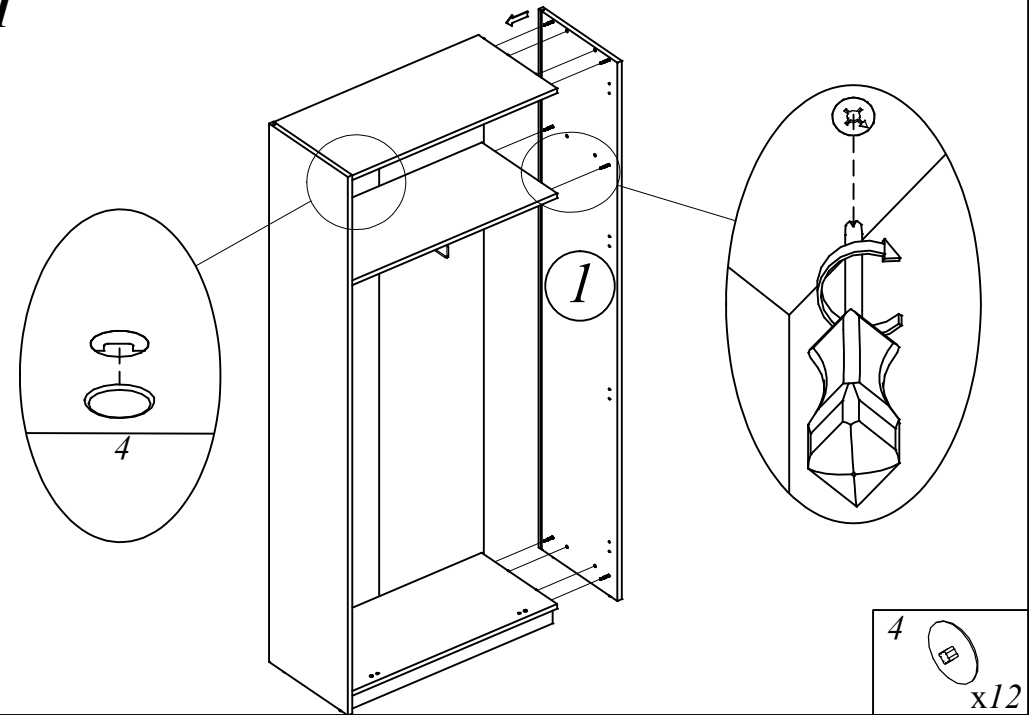


- 5 x2
- 6 x2
- 7 x1

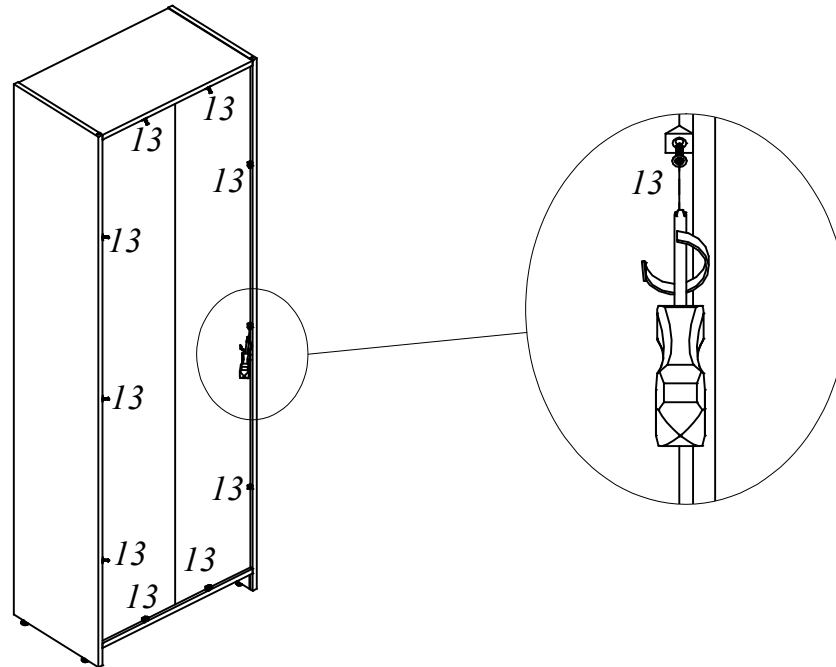
V



VI



VII



4
x12

13
x10